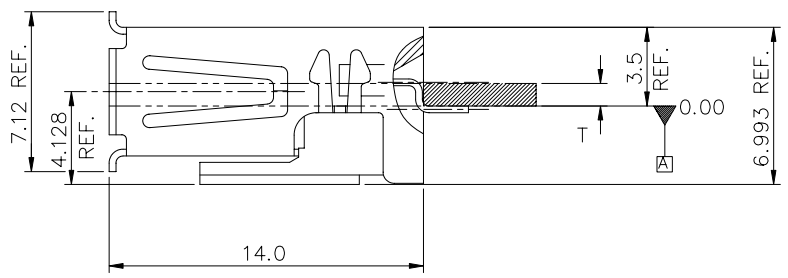
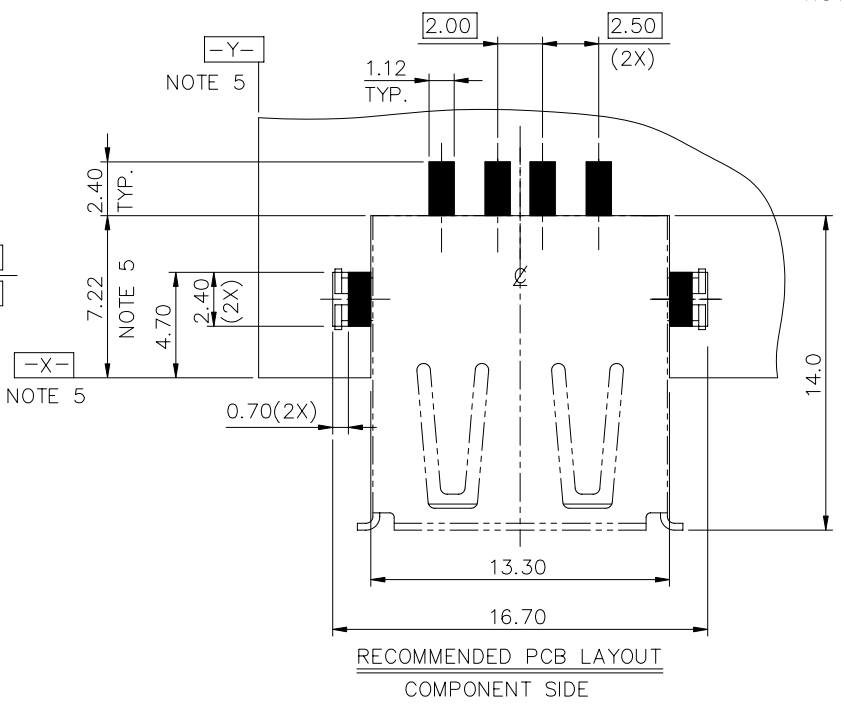
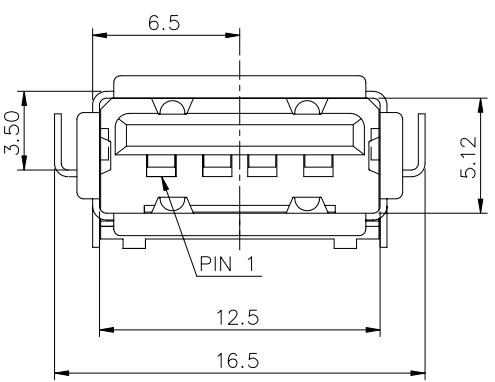
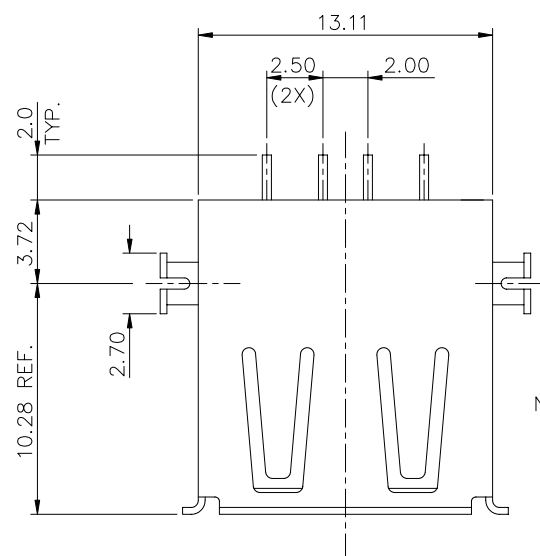


Tous droits strictement réservés. Reproduction ou communication à des tiers int sous quelque forme que ce soit sans autorisation écrite du propriétaire. Property of c FCI ELECTRONICS. Copyright FCI ELECTRONICS by

**FCI**

All rights strictly reserved. Reproduction or issue to third parties in any for whatever is not permitted without written authority from the proprietor. Property of c FCI ELECTRONICS. Copyright FCI ELECTRONICS by



NOTES:

1. RECOMMENDED PCB THICKNESS SEE PRODUCT NO CODE.
2. MATERIAL:  
HOUSING: THERMOPLASTIC, UL94 V-0 RATED.  
TERMINAL: COPPER ALLOY.  
SHIELD: COPPER ALLOY.
3. PLATING:  
CONTACTS: SEE NOTE 6.  
SHIELD: 30u" MIN. NICKEL PLATING.
4. 2.67mm MAXIMUM PANEL THICKNESS IF MOUNTED BEHIND PANEL.
5. DATUM AND BASIC DIM. ESTABLISHED BY CUSTOMER.
6. PART NO. DESCRIPTION:

52369-X X 1 X LF  
 LEAD FREE OPTION  
 TERMINAL PLATING OPTION:  
 0 - 30u" GXT CONTACT AREA  
 2 - 30u" GOLD CONTACT AREA  
 1 PCB T = 1.0mm  
 2 PCB T = 1.6mm  
 HOUSING OPTIONS:  
 0 - WHITE  
 1 - BLACK

NOW FCI AVAILABLE P/N'S FOLLOWED:

- 52369-0110/0110LF
- 52369-0112/0112LF
- 52369-1110/1110LF
- 52369-1112/1112LF
- 52369-1212/1212LF
- 52369-0212/0212LF

7. P/N'S WITH SUFFIX "LF" ARE LEAD FREE P/N'S
8. PACKING STANDARD GS-14-920 WILL BE APPLIED FOR LEAD FREE P/N'S
9. FOR LEAD FREE P/N, THE PRODUCT MEET EUROPEAN UNION DIRECTIVES AND OTHER COUNTRY REGULATION AS DESCRIBED IN GS-22-008
10. FOR LEAD FREE P/N, THE HOUSING WILL WITHSTAND EXPOSURE TO 260°C PEAK TEMPERATURE FOR 40 SECONDS IN A CONVECTION, INFRO-RED OR VAPOR PHASE REFLOW OVEN.

mat'l code				tolerance unless otherwise specified		CUSTOMER COPY	<b>FCI</b> www.fciconnect.com
rev.	ecn no.	dr	date	linear	.0 ± 0.30	projection	
A	T90367	MW	10/26/99		.00 ± 0.20		title USB SMT NO SCREW SHIELD ASS'Y
B	T00117	PP	04/18/00		.000 ± 0.10		
C	T10001	PP	01/02/01	angles	± 2°		product family USB
D	N05-0078	PH	03/21/05	dr	MAGGIE WU06/17/99	unit	
				enrg	GARY TANG06/17/99	mm/inch	TWN
				chr	GARY TANG06/17/99	scale	size
				appd	JENN TSAO06/17/99	4 : 1	dwg no.
sheet	revision	D					52369
index	sheet						1 OF 1